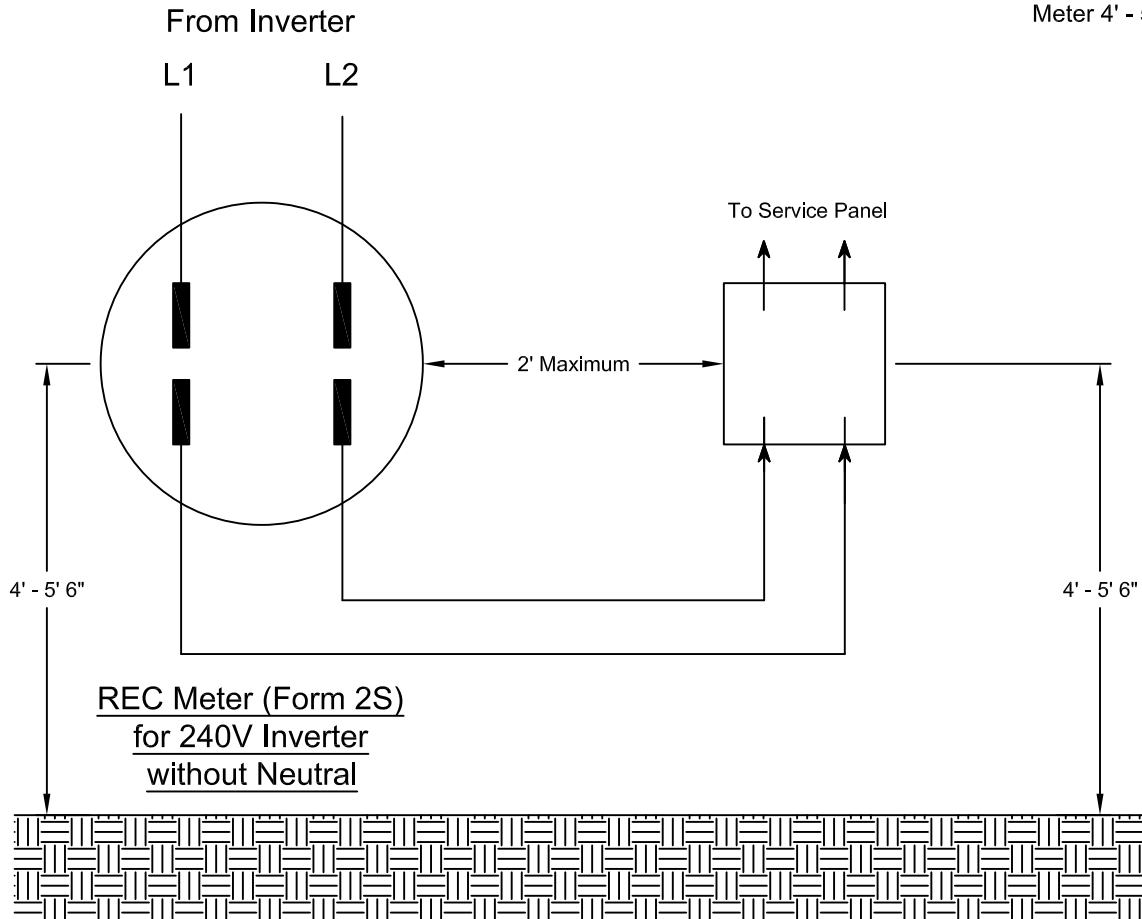


DIAGRAM DISCLAIMER

Connections Shown are for Illustrative Purposes Only
 This sketch is intended to be used for illustrative purpose only.
 This sketch is not intended to provide an NEC compliant
 electrical design or directives for full NEC compliance.

PNM
 METER
 STANDARD

- Load Break
- Lockable
- Visible Disconnect
- Utility Accessible Switch
- Must be Same Height as REC Meter 4' - 5' 6"

**NOTES**

- (1) Check with your new service representative if you have special voltage requirements.
- (2) A REC meter cannot be installed in a Multiple Meter Center.
- (3) If supply side connection, Customer Generation Disconnect must be service entrance rated.
- (4) Metering and instrument cabinets shall not be used to house Customer-owned equipment, such as distribution panels or other equipment, nor used as a junction box/trough for the distribution of circuits.
- (5) Fused disconnect must be used for systems 50kW and larger.

REC Meter Base
 Standard 240V Meter Base without Neutral

MS-8-1.5